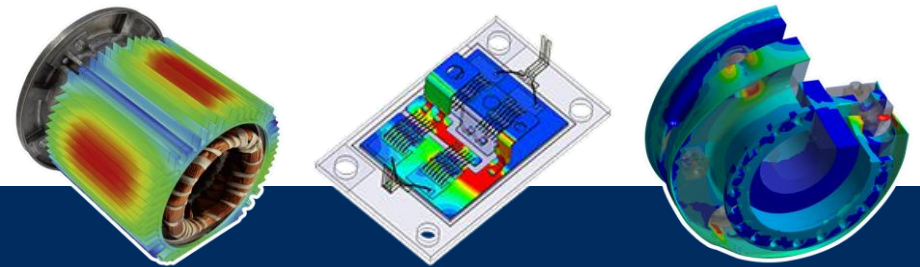


# CADFEM<sup>®</sup>



Simulation ist mehr als Software<sup>®</sup>



## 9tLabs

ANSYS Startup Program

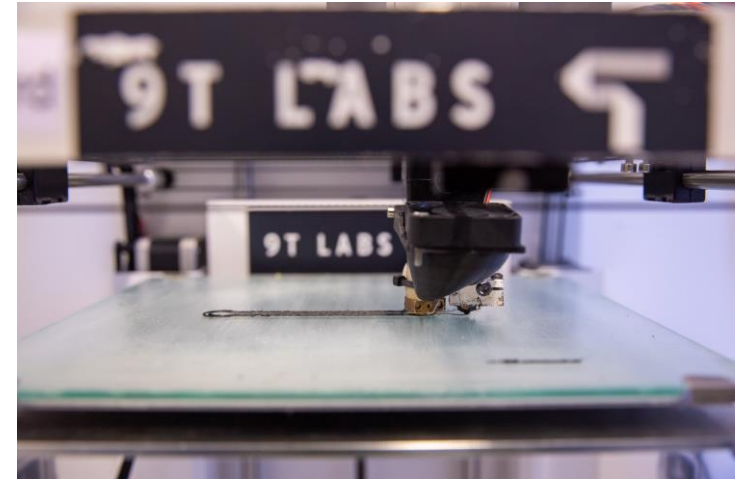
9 T LABS



## 9tLabs: Carbon Fiber 3D Printer

### About 9tLabs

Carbon fiber composites have always been expensive to create and have been restricted by geometric complexity. 9T Labs has invested years to create the technology that enables the industry to 3D print high volume carbon fiber composites.



### ANSYS simulation tools

9T Labs uses ANSYS to perform advanced thermal process simulation in order to generate thermal histories between printed layers. With help of further complex empirical models quality criteria regarding strength and stiffness can be calculated.

“We make carbon fiber more accessible to anyone who wants to create”

# Predicting strength criteria through process simulation

Advanced thermal process simulation

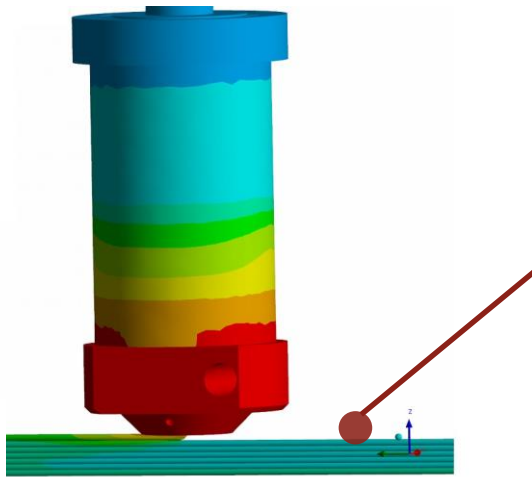
Generating thermal histories between layers

Calculating interlaminar strength criterion

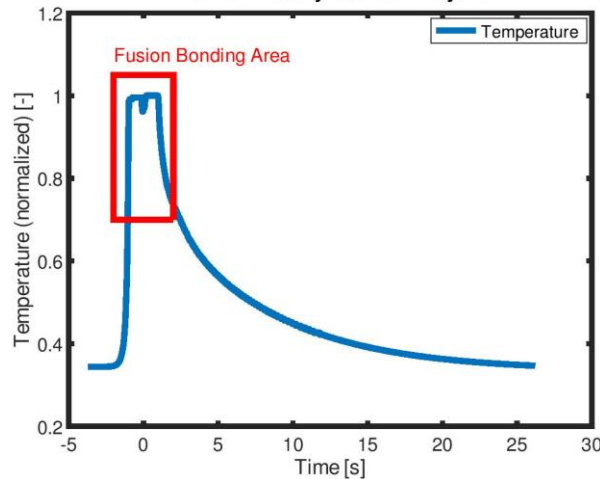


Printhead

Deposited layer



Thermal History between Layers



Interlaminar  
Strength  
Criterion

